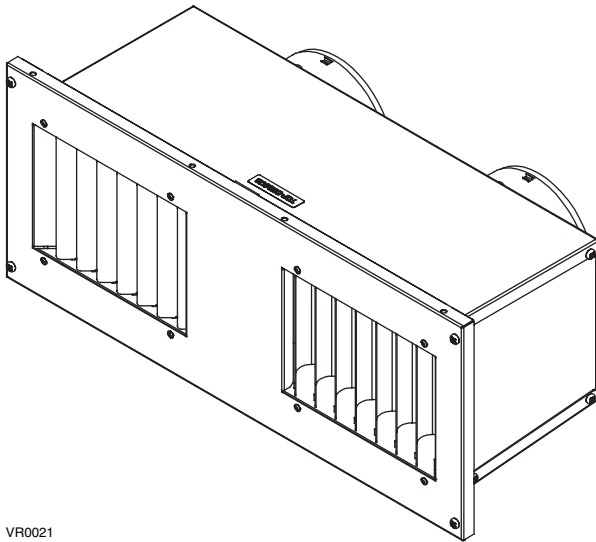


# Metal Tandem Hood

Part no.: 14695



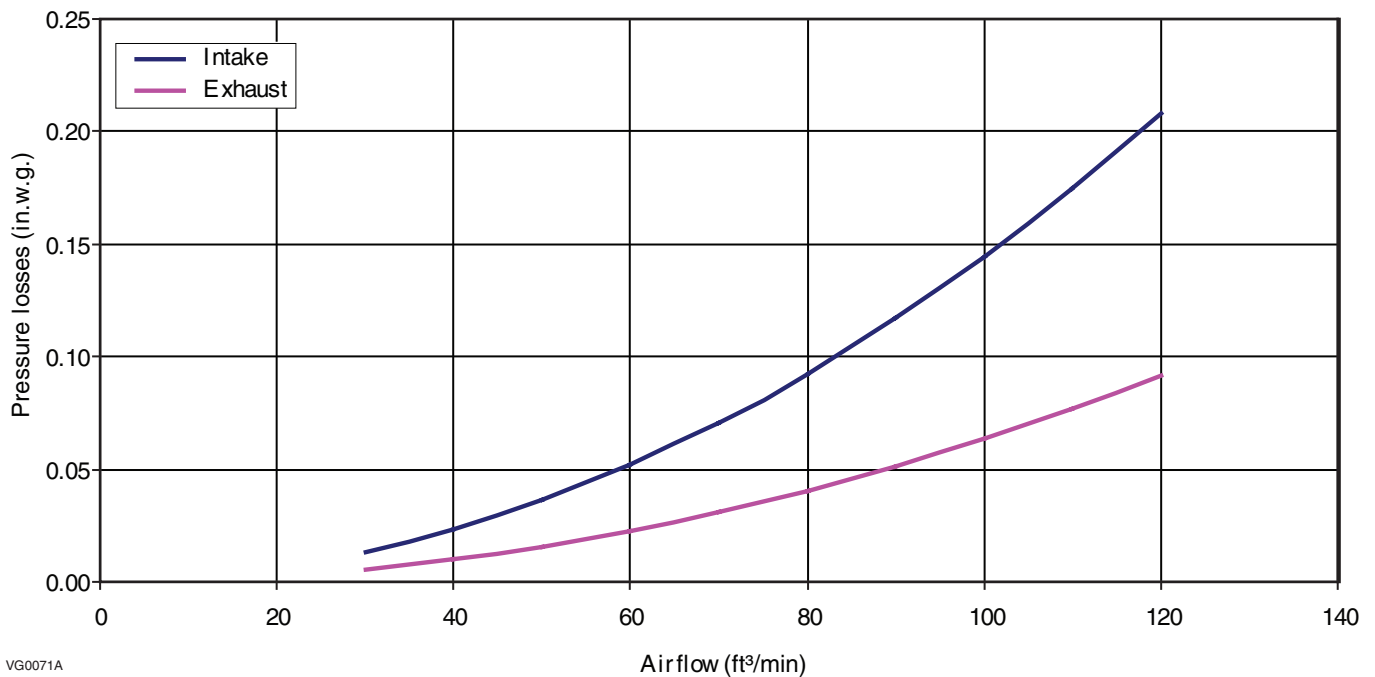
VR0021

## ***ONE OUTSIDE PORT FOR DOUBLE USAGE***

More than ever, today's builders and contractors are aiming to optimize material, manpower and time. One way to achieve this goal when installing a ventilation system is to install our new metal tandem hood. This new device simplifies the installation not only because only one hole is required on the exterior wall. In fact, every installer knows that locating efficiently a one outside port is more easier (and faster) than locating two. Moreover, there is almost any intercontamination!

- Galvanized satin steel cover grille (ready to be painted by the HVAC contractor to match building's color).
- One 7" x 18" hole in the exterior wall.
- Tandem box eliminates the need of a Tandem transition.
- Intake and exhaust ducts connection can be performed either on left or right port, for more convenience.
- Outside connection performed in half time.
- Compatible for ventilation units producing a maximum of 110 CFM. Refer to Pressure Drops graph below.

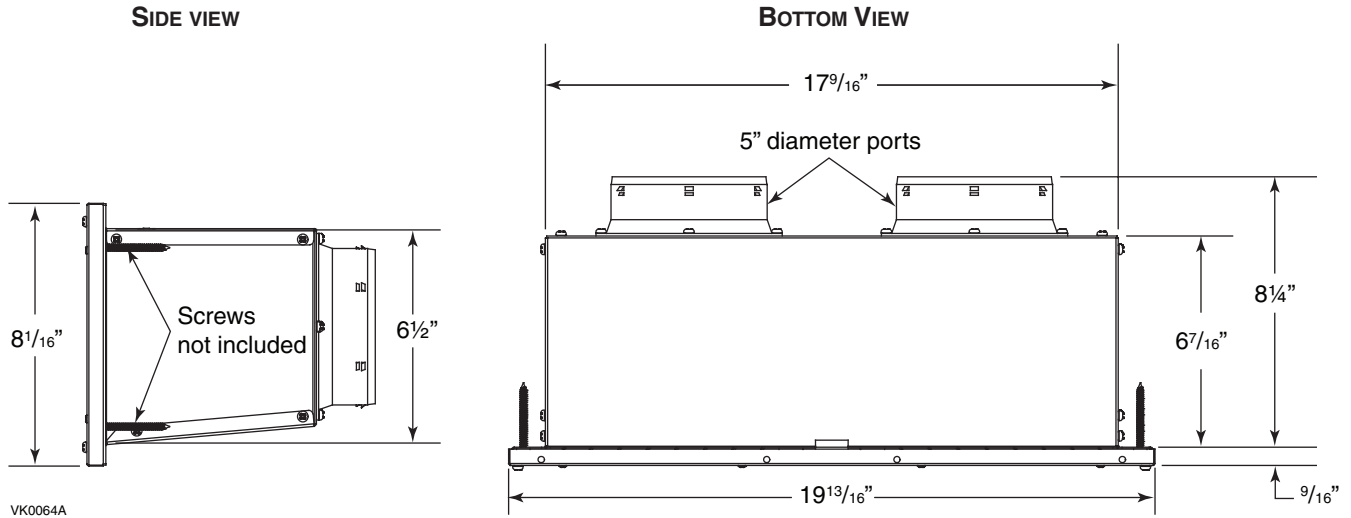
## ***Pressure Drops (Intake and Exhaust)***



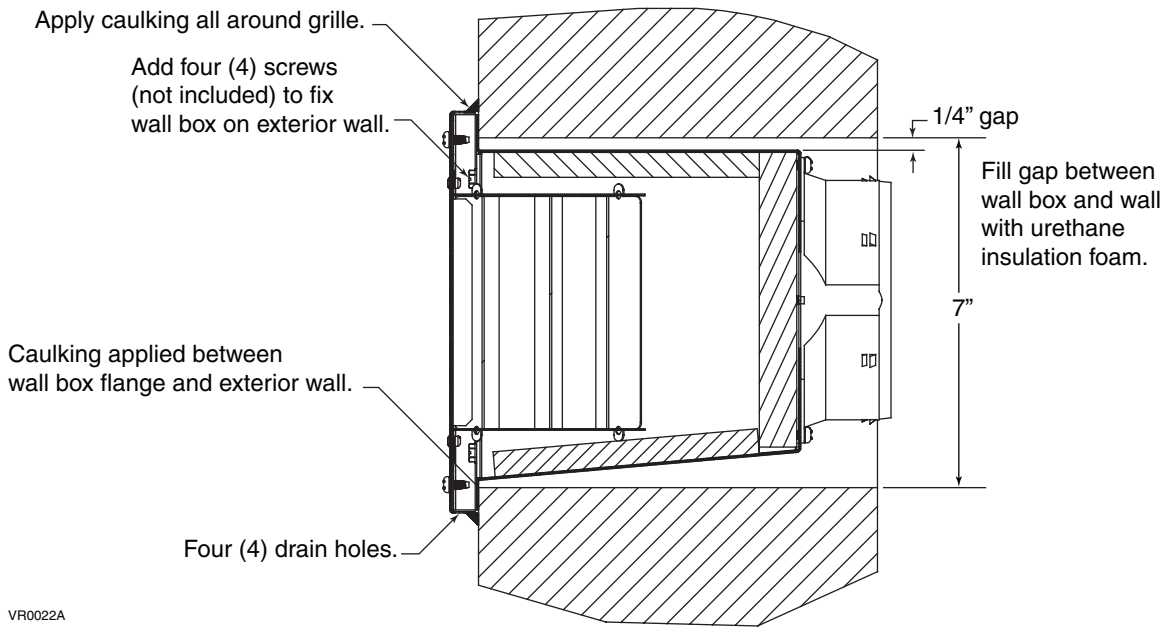
VG0071A

Available at:

# Metal Tandem Hood Dimensions



# Installation Details



Submitted by:		Date:	Project:
Qty:	Model No.:	Remarks:	Location:
			Architect:
			Engineer:
			Contractor:

